

PLEASE CHECK WWW.MOLEX.COM FOR LATEST PART INFORMATION

Part Number: **0876675015**
Status: **Active**
Overview: extreme_powerplus_ssi
Description: 6.35mm (.250") Pitch Power, 2.54mm (.100") Pitch Signal, EXTreme PowerPlus™ S-Pb Header, Through Hole, Right Angle, with Beveled Metal Pins, Long Blade, 34 Circuits, Signal 24, Power Beta 10, Recessed Signal Pins: A1, B5, C5, Lead-free

Documents:

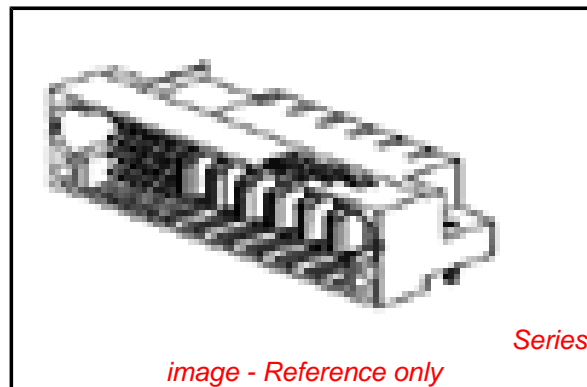
[3D Model](#) [Product Specification PS-87631-006 \(PDF\)](#)
[Drawing \(PDF\)](#) [RoHS Certificate of Compliance \(PDF\)](#)

General

Product Family	PCB Headers
Series	87667
Application	Board-to-Board
Comments	Long Blade Recessed Signal Pin: A1, B5, C5
Overview	<u>extreme_powerplus_ssi</u>
Product Name	EXTreme PowerPlus™

Physical

Breakaway	No
Circuits (Loaded)	34
Circuits Detail	Signal 24 Power Beta 10
Color - Resin	Black
Durability (mating cycles max)	100
First Mate / Last Break	Yes
Glow-Wire Compliant	No
Guide to Mating Part	Yes
Keying to Mating Part	Yes
Lock to Mating Part	Yes
Material - Metal	Copper Alloy
Material - Plating Mating	Gold
Material - Plating Termination	Tin
Material - Resin	High Temperature Thermoplastic
Number of Rows	4
Orientation	Right Angle
PC Tail Length (in)	0.135 In
PC Tail Length (mm)	3.43 mm
PCB Locator	No
PCB Retention	Yes
PCB Thickness Recommended (in)	0.062 In
PCB Thickness Recommended (mm)	1.57 mm
Packaging Type	Tray
Pitch - Mating Interface (in)	0.100 In, 0.250 In
Pitch - Mating Interface (mm)	2.54 mm, 6.35 mm
Pitch - Term. Interface (in)	0.100 In, 0.125 In, 0.150 In, 0.250 In
Pitch - Term. Interface (mm)	2.54 mm, 3.18 mm, 3.81 mm, 6.35 mm
Plating min: Mating (µin)	30
Plating min: Mating (µm)	0.76
Plating min: Termination (µin)	100
Plating min: Termination (µm)	2.54
Polarized to Mating Part	Yes
Polarized to PCB	Yes
Shrouded	Closed Ends
Stackable	No
Temperature Range - Operating	-20°C to +105°C



EU RoHS

ELV and RoHS Compliant
REACH SVHC
 Not Reviewed
Halogen-Free Status

China RoHS



Need more information on product environmental compliance?

Email productcompliance@molex.com
 For a multiple part number RoHS Certificate of Compliance, [click here](#)

Please visit the [Contact Us](#) section for any non-product compliance questions.

Search Parts in this Series

87667Series

Mates With

87668 EXTreme PowerPlus™ S-Pb Receptacles with Beveled Metal Pins. [87710](#) EXTreme PowerPlus™ S-Pb Receptacles with Press-fit PC Tail

Termination Interface: Style

Through Hole

Electrical

Current - Maximum per Contact

2.5A, 30A

Voltage - Maximum

250V DC

Solder Process Data

Duration at Max. Process Temperature (seconds)

10

Lead-free Process Capability

SMC & Wave Capable (TH only)

Max. Cycles at Max. Process Temperature

3

Process Temperature max. C

260

Material Info

Reference - Drawing Numbers

Application Specification

AS-87631-018

Product Specification

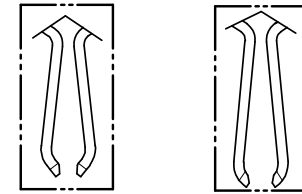
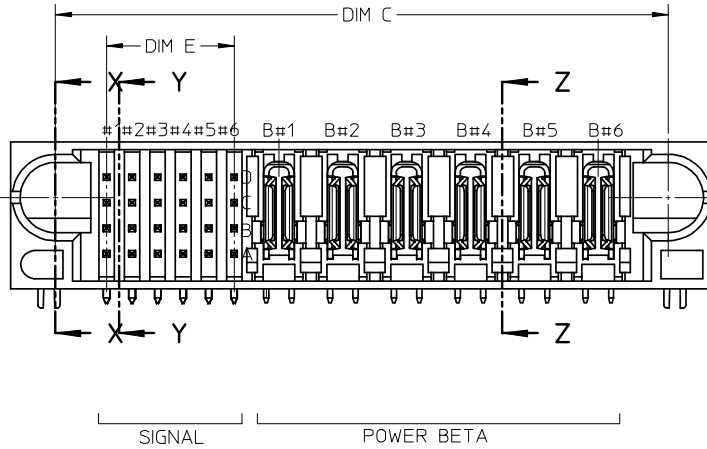
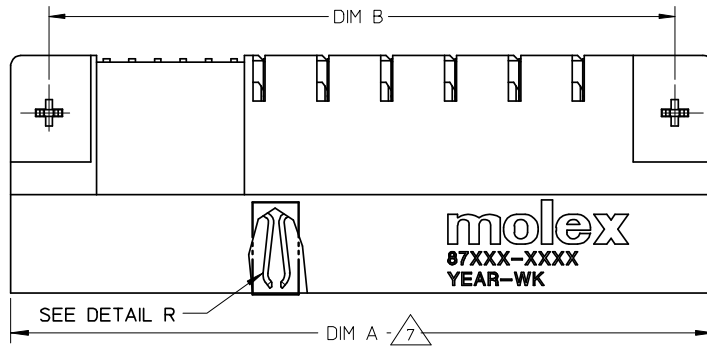
PS-87631-006

Sales Drawing

SD-87667-013

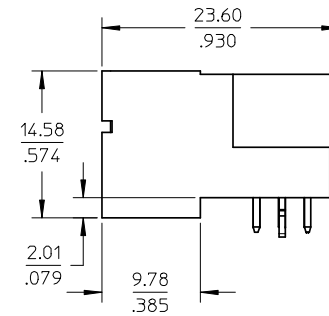
This document was generated on 05/25/2010

PLEASE CHECK WWW.MOLEX.COM FOR LATEST PART INFORMATION



SHORT BLADE OPTION LONG BLADE OPTION

DETAIL R
(SEE TABLE FOR BLADE OPTION)



NOTES:

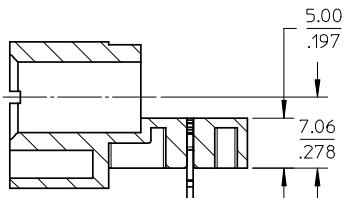
- MATERIALS : HOUSING - LCP, GLASS FILLED, UL94V-0, COLOR: BLACK
POWER PINS - COPPER ALLOY
SIGNAL PINS - COPPER ALLOY
BOARD LOCK - COPPER ALLOY
- FINISHES: POWER AD SIGNAL PINS
SELECTIVE GOLD IN THE CONTACT AREA
THICKNESS = 0.76 MICROMETER / 30 MICROINCH MINIMUM
SELECTIVE TIN IN THE PC TAIL AREA
THICKNESS = 2.54 MICROMETER / 100 MICROINCH MINIMUM
1.27um MINIMUM NICKEL OVERALL UNDERPLATE.
- PRODUCT SPECIFICATIONS : PS-87631-006
- SEE SHEET 2 FOR RECOMMENDED PCB LAYOUT AND THICKNESS
- COMPONENT STAY AWAY ZONE FROM CONNECTOR
- REFER TO THE TABLE ON TOP OF PAGE 3/3 FOR RECESSED PINS LOCATION
- 24 SIGNAL - 6 POWER CONNECTOR IS SHOWN FOR ILLUSTRATION

PDR#S-001742-00-00 EC NO: S2008-0558 DRWN:SKANG 2008/01/14 CHKD:ATSEE 2008/01/14 APPR:MLONG 2008/01/14	QUALITY SYMBOLS	GENERAL TOLERANCES (UNLESS SPECIFIED)	DIMENSION STYLE		SCALE	DESIGN UNITS	THIRD ANGLE PROJECTION
	=0 =0.10		mm	INCH	NTS	METRIC	

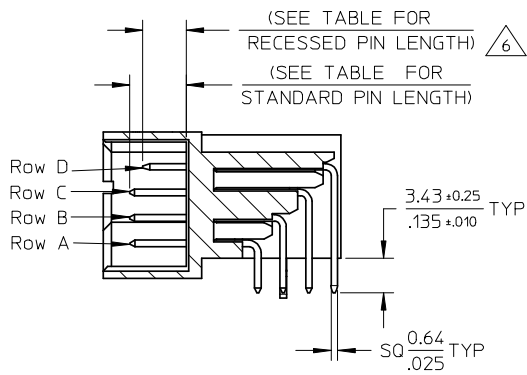
4 PLACES	±---	±---
3 PLACES	±---	±.010
2 PLACES	±0.25	±---
1 PLACE	±---	±---
ANGULAR ± 3 °		
DRAFT WHERE APPLICABLE MUST REMAIN WITHIN DIMENSIONS		

DRAWN BY	DATE	TITLE
BHLOW	2002/10/28	POWER CONNECTOR PLUG S-P(B) CONFIGURATION R/A, T/H, BOARD-LOCK
CHECKED BY	DATE	
PTLIM	2002/11/07	
APPROVED BY	DATE	
SKTOH	2002/11/12	
MATERIAL NO.		DOCUMENT NO.
SEE TABLE		SD-87667-013

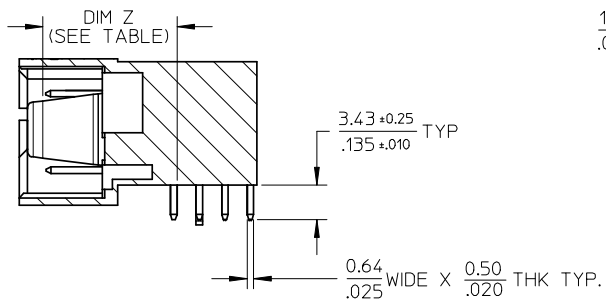
SIZE	THIS DRAWING CONTAINS INFORMATION THAT IS PROPRIETARY TO MOLEX INCORPORATED AND SHOULD NOT BE USED WITHOUT WRITTEN PERMISSION	
A3		
SHEET NO.		1 OF 3



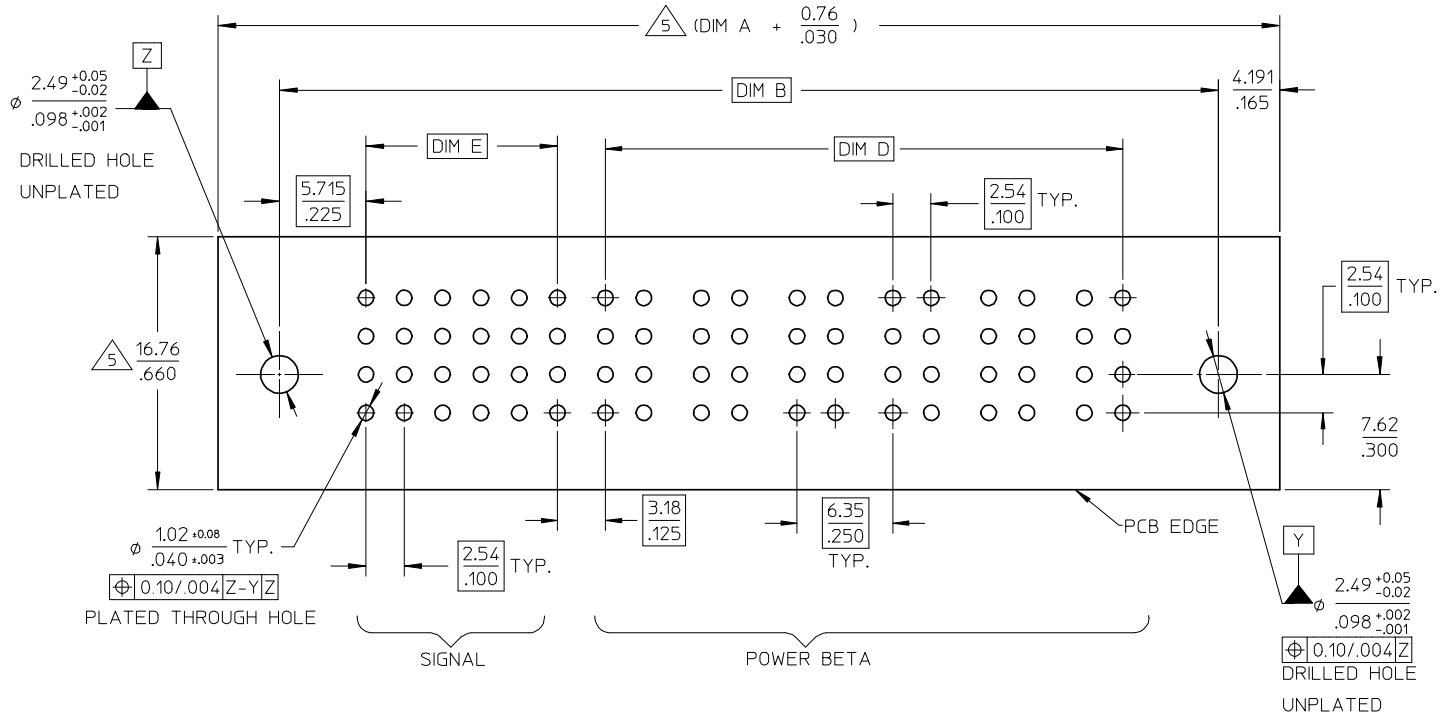
SECTION X-X



SECTION Y-Y



SECTION Z-Z



RECOMMENDED PCB LAYOUT

PDR#S-001742-00-00 EC NO: S2008-0558 DRWN:SKANG 2008/01/14 CHKD:ATSEE 2008/01/14 APPR:MLONG 2008/01/14 REV:	QUALITY SYMBOLS	GENERAL TOLERANCES (UNLESS SPECIFIED)	DIMENSION STYLE	SCALE	DESIGN UNITS	THIRD ANGLE PROJECTION	
	▼=0 ∇=0	4 PLACES ± --- ± --- 3 PLACES ± --- ± .010 2 PLACES ± 0.25 ± --- 1 PLACE ± --- ± --- ANGULAR ± 3 °	MM/IN	NTS	METRIC		
		DRAFT WHERE APPLICABLE MUST REMAIN WITHIN DIMENSIONS	DRAWN BY: BHLOW CHECKED BY: PTLIM APPROVED BY: SKTOH MATERIAL NO. SEE TABLE	DATE: 2002/10/28 DATE: 2002/11/07 DATE: 2002/11/12	TITLE	POWER CONNECTOR PLUG S-P(B) CONFIGURATION R/A, T/H, BOARD-LOCK	
			SIZE A3	THIS DRAWING CONTAINS INFORMATION THAT IS PROPRIETARY TO MOLEX INCORPORATED AND SHOULD NOT BE USED WITHOUT WRITTEN PERMISSION		MOLEX MOLEX INCORPORATED DOCUMENT NO. SD-87667-013	SHEET NO. 2 OF 3

